

Montgomery Ward & Co.

Model: 62-425

Chassis:

Year: Pre October 1938

Power:

Circuit:

IF:

Tubes:

Bands:

Resources

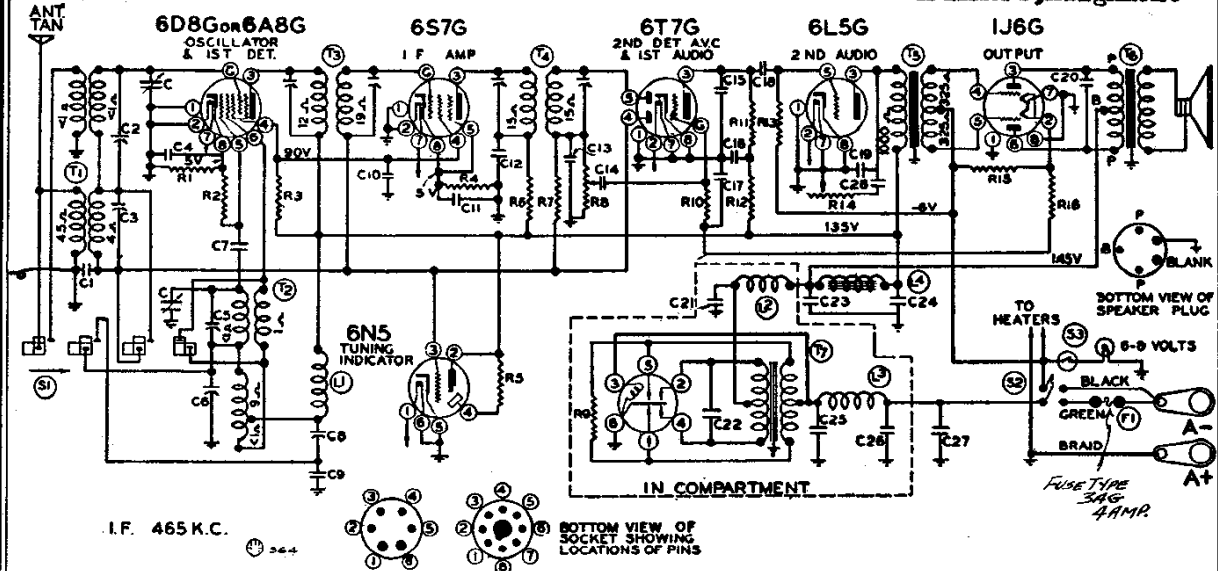
Riders Volume 11 - MONT WARD 11-14

Riders Volume 9 - MONT WARD 9-57

MODELS 62-376, 62-425
62-486

MONTGOMERY WARD & CO.

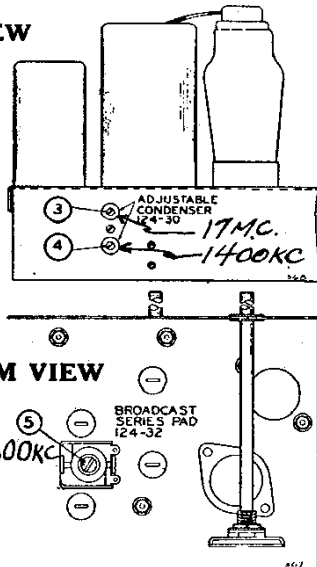
Schematic, Socket
Trimmers, Alignment



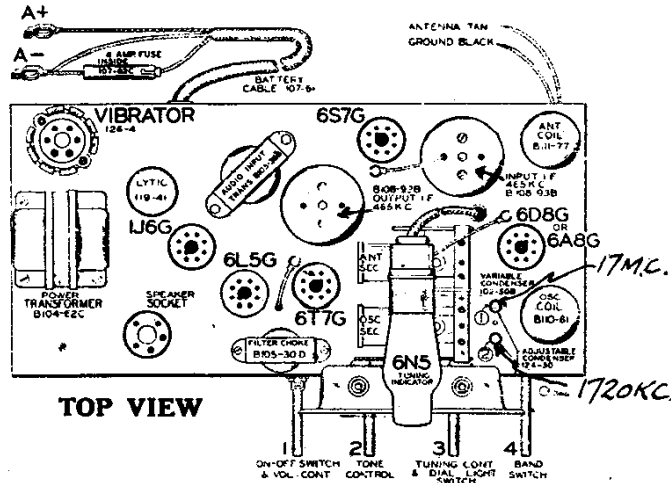
LIST OF REPAIR PARTS (Serial No. 7E607720 and up)

Part No.	Schematic Reference	Description	No. Used in Set
CONDENSERS			
BE100-11	C14, C17	.01 x 400 Volt Tubular	2
BE100-14	C21	.1 x 200 Volt Tubular	1
BE100-20	C1, C4, C10, C11, C12, C16, C27	.1 x 200 Volt Tubular	7
BE100-25	C19, C20	.002 x 600 Volt Tubular	2
BE100-26	C18, C28	.02 x 400 Volt Tubular	2
BE100-34	C22	.005 x 1200 Volt Tubular	1
BE100-35	C23, C24	.5 x 200 Volt (Oval Type)	2
BE119-41	C8	8-4 MED. 200 W. V. Lytic Filter	1
BE124-32	C5, C6	Series Padder Condenser	1
BE124-30	C2, C3	Dual Ceramic Padder Condenser	2
BE129-5	C13	.0001 Mica - Type MT - 20%	1
BE129-12	C15	.00025 Mica - Type MT - 20%	1
BE129-39	C7	.00005 Mica - Type MT - 20%	1
BE129-54	C9	.003 Mica - Type MW - 2 1/2 %	1
RESISTORS			
BE130-12	R2	50M Ohm-1/3 Watt-20% Carbon	1
BE130-19	R10, R16	1 Meg Ohm-1/3 Watt-20% Carbon	2
BE130-20	R11, R12	100M Ohm-1/3 Watt-20% Carbon	2
BE130-31	R4, R6	1500 Ohm-1/3 Watt-20% Carbon	2
BE130-38	R7, R13	2 Megohm-1/3 Watt-20% Carbon	2
BE130-54	R1	500 Ohm-1/3 Watt-20% Carbon	1
BE130-84	R9	200 Ohm-1/3 Watt-20% Carbon	1
BE130-149	R3	15M Ohm-1/3 Watt-20% Carbon	1
BE130-158	R15	16 Ohm-1 Watt-5% Wire Wound	1
COILS			
BE B-108-92B	T4	Output I. F. Coil Assembly complete with can	1
BE B-108-93B	T3	Input I. F. Coil Assembly complete with can	1
BE B-110-61	T2	Broadcast and Short-wave Oscillator Coil Assembly complete with can	1
BE B-111-77	T1	Broadcast and Short-wave Antenna Coil Assembly complete with can	1
CHOKO COILS			
BE105-19	L3	"A" Choke Coil	1
BE B-105-30D	L4	Filter Choke (400 Ohms)	1
BE105-35	L1, L2	R. F. "B" Choke Coil	2
TRANSFORMERS			
BE B-104-62C	T7	Power Transformer for Vibrator	1
BE B-105-36B	T5	Input Audio Transformer	1
SPEAKER			
BE114-58	T6	Six inch P. M. Dynamic Speaker	1
MISCELLANEOUS			
BE101-81	R8, S2	Volume Control and Switch (500M Ohm)	1
BE101-82	R14	Tone Control (100M Ohm)	1
BE107-105 (R5)		Cable and Socket Assembly complete with 250M Ohm Resistor	1

REAR VIEW



CONVENTIONAL ALIGNMENT
SEE SPECIAL SECTION VOLUME VIII



MONTGOMERY-WARD & CO.

MODEL 62-425
Schematic, Voltage
Alignment, Parts

TUBES:

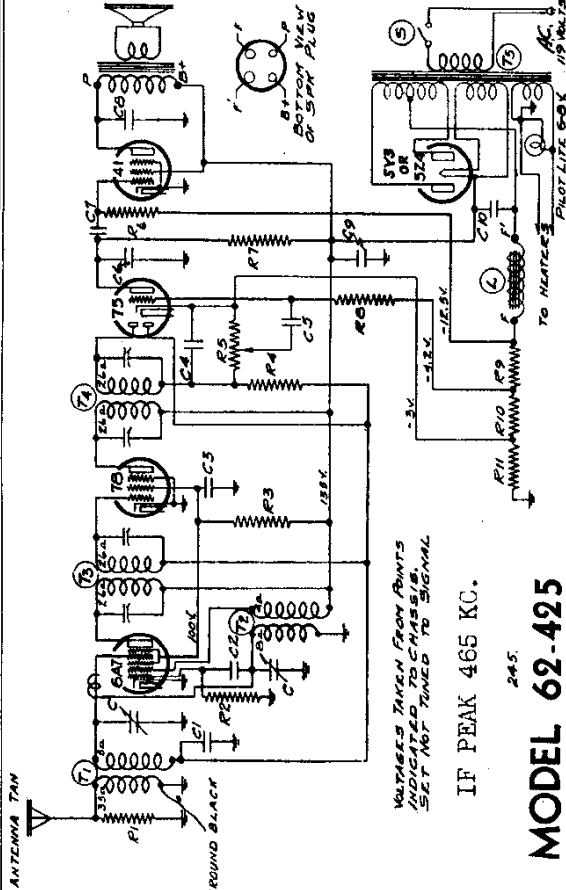
The Tube complement of this chassis is as follows:

- 1 Type 6A7—pentagrid oscillator and first detector.
- 1 Type 78 —remote cut-off pentode as I.F. amplifier.

- 1 Type 75 —duplex diode triode as diode detector, A.V.C. and A.F.
- 1 Type 41 —pentode output tube.
- 1 Type 5Z4 or 5Y3—high vacuum rectifier.

R. F. ALIGNMENT: (535-1720 K. C.)

1. With gang condenser in its minimum capacity position, plates entirely out of mesh, connect an external oscillator in series with a 200 mmf. condenser to tan antenna and black ground leads and make the following adjustments:
 - (a) With external oscillator set at 1720 kilocycles, adjust oscillator trimmer (rear of gang condenser).
 - (b) Re-set external oscillator to 1400 kilocycles, rotate condenser, pick up oscillator signal and adjust antenna trimmer to resonance (front section of gang condenser).
- (c) Check sensitivity at 600 and 1000 kilocycles.



IF PEAK 465 KC.

MODEL 62-425

Frequency Range — 535 - 1720 Kilocycles

Part No.	Schematic Reference	Description	No. Used In Set	Selling Price Ea.
BE 101-34	R-5	Volume Control and Switch 1 meg ohm	1	.34
BE 102-13	C	Two Gang Variable Condenser	1	1.30
BE 107-39		Line Cord & Plug	1	.20
BE 131-2		Bakelite Knob	1	.06
BE 131-8		Spring for above knob	1	.01
MISCELLANEOUS				
BE 107-28		Pilot Light Socket	1	.04
BE 112-15		Dial Crystal only—less escutchion	1	.04
BE 112-160		Dial Pointer Complete with screw	1	.04
BE 112-161A		Bakelite Escutchion complete with crystal	1	.15
BE 112-161B		Dial Scale T-51 Pilot Light Bulb	1	.10
BE 117-5		6-8 Volt. T-51 Pilot Light Bulb	1	.06
BE 117-15		Pointer Bushing Stud	1	.03
BE 117-60		Drive Pulley	1	.03
BE 117-61		Pushing Assembly	1	.03
BE 117-68		Dial Bracket	1	.01
BE 120-7A		Takeup Spring	1	.01
BE 131-52		Drive Belt	1	.01
BE 134-9		Horse Shoe Washer	1	.01
Note: Speakers cannot be ordered, defective speakers must be repaired. All resistors and mica condensers are RMA color coded—specify value and/or resistor or condenser (per schematic diagram) and model number. Mica condensers are coded with an indicating tolerance:				
				Color of Dot
				White
				2 1/2%
				5%
				10%
				15%
				20%
				More than—20%
When ordering condensers, specify part number, tolerance and/or schematic reference number. When ordering parts, always specify part and model number as well as serial number of chassis.				

ALIGNING INSTRUCTIONS:
CAUTION:—No aligning adjustments should be attempted without first thoroughly checking over all other possible causes of trouble, such as poor installations, open or grounded antenna systems, low line voltages, defective tubes, condensers and resistors. In order to properly align this chassis, an oscillator (generator) is absolutely necessary. No aligning adjustments should be attempted with the chassis in the cabinet. Remove the knobs and the two bolts which are used to fasten the chassis.

All adjustments should be made with a non-metallic screw driver.

RESONANCE INDICATOR:
Use as a resonance indicator an output meter connected across the primary of the speaker input transformer, or by means of an adapter between the plate and screen terminals of the type 41 output tube. Use only enough signal to get a readily readable output. A low range output meter or the low scale of a multi-range voltmeter should be used.

ALIGNING I. F. TRANSFORMERS: (465 K. C.)
Connect external oscillator which has been adjusted to 465 kilocycles in series with .1 mfd. condenser, to the control grid cap of the type 6A7 tube. Ground the chassis to the oscillator. Adjust output I.F. transformer (No. 108-83) and input I.F. transformer (No. 108-82) to resonance. See label on bottom of cabinet for location of these transformers.

LIST OF REPAIR PARTS (Serial No. 6F275000 and up)

Part No.	Schematic Reference	Description	No. Used In Set	Selling Price Ea.
BE 100-11	C-3/C-7	.01 x 400 Volt Tubular	2	30.09
BE 100-19	C-8	.006 x 600 Volt Tubular	1	.09
BE 100-20	C-3	.05 x 200 Volt Tubular	1	.11
BE 109-24	C-9/C-10	Dual 3 Mfd. x 100 Volt. Electrolytic	1	.74
BE 129-5	C-6	.0001 Mica—Type MT—20%	1	.09
BE 129-12	C-2/C-4	.00025 Mica—Type MT—20%	2	.12
BE 106-29	R-9/R-10	(R9, 200 ohm); (R10, 33 ohm); (R11, 100 ohm); (R12, 10M ohm) Metal Slide resistor	1	16
BE 110-17	R-1	5M Ohm-1/2 Watt-20% 70 V. Carbon	1	.08
BE 110-22	R-2	50M Ohm-1/10 Watt-20% 50 V. Carbon	1	.06
BE 110-117	R-4	50M Ohm-1/10 Watt-20% 50 V. Carbon	1	.06
BE 110-121	R-6	600M Ohm-1/10 Watt-20% 100 V. Carbon	1	.06
BE 110-118	R-4/R-8	3.2 Meg Ohm-1/10 Watt-20% 100 V. Carbon	2	.06
BE 130-122	R-7	210 Ohm-1/10 Watt-20% 20% V. Carbon	1	.06
BE 108-82	T3	Input I.F. Coil Assem. Comp. with Can.	1	.60
BE 108-83	T4	Output I.F. Coil Assem. Comp. with Can.	1	.60
BE 110-46	T7	Oscillator Coil Assembly Complete.	1	.36
BE 111-58	T1	Antenna Coil Assembly Complete.	1	.36
SOCKETS				
BE 121-6		Six Prong Socket—Marked "41"	1	.09
BE 121-6		Six Prong Socket—Marked "75"	1	.09
BE 121-6		Six Prong Socket—Marked "78"	1	.09
BE 121-7		Seven Prong Socket—Marked "6A7"	1	.10
BE 121-9		Five Prong Socket—Marked "SPER"	1	.08
BE 121-16		Five Prong Socket—Marked "5Z4" (Octal)	1	.08
SPEAKER				
BE 114-42	L	Five Inch Dynamic Speaker	1	2.70
TRANSFORMERS				
BE 104-60	T3	50-60 Cycle—105-115 Volt Power Trans.	1	1.34
BE 104-64	T1	25 Cycle—105-115 Volt Power Trans.	1	2.23
BE 104-67	T1	25 Cycle—Universal Power Transformer	1	3.00